









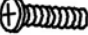

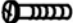


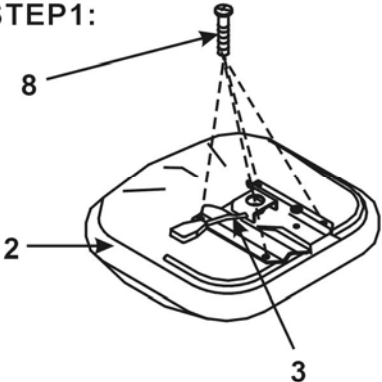
Assembly Instructions

MONTY TASK CHAIR OWMONTYBK

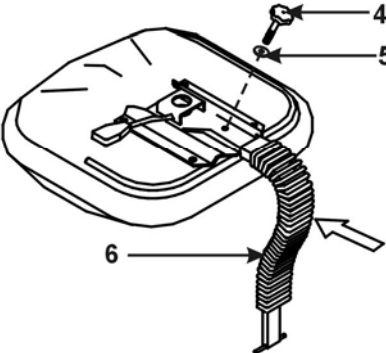
Parts Listing

#	Description	Qty	#	Description	Qty	#	Description	Qty
1		1x	3		1x	9		1x
			4	 HAS BEEN ATTACHED TO PART 6	1x	10		1x
			5	 HAS BEEN ATTACHED TO PART 6	1x	11		1x
2		1x	6		1x	12		1x
			7		2x	13		5x
			8		4x			

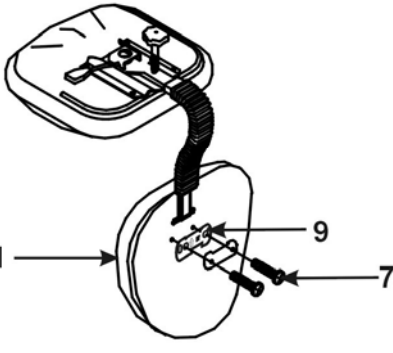
STEP1:



STEP2:



STEP3:



STEP4:



STEP5:



Your Monty Task Chair is now complete and ready for use.

Please check all parts before assembly.

If you are missing any hardware please contact customer service on

03 9310 3011 select option 1 or email hardware@myzone.net.au. Ensure you have the name of the item, store purchased from along with the part you require and quantity.

Officeworks Superstores Pty Ltd. | 236 - 262 East Boundary Road | East Bentleigh | 3165 | AUSTRALIA



Do you require assistance with the assembly of this quality product?
For a free, no obligation quote call
FREECALL 1300 799 289